

Tilburg University

Conditional dependence between response time and accuracy

Bolsinova, Maria; Tijmstra, J.; Molenaar, Dylan; de Boeck, Paul

Published in:
Frontiers in Psychology

DOI:
[10.3389/fpsyg.2017.00202](https://doi.org/10.3389/fpsyg.2017.00202)

Publication date:
2017

Document Version
Publisher's PDF, also known as Version of record

[Link to publication in Tilburg University Research Portal](#)

Citation for published version (APA):
Bolsinova, M., Tijmstra, J., Molenaar, D., & de Boeck, P. (2017). Conditional dependence between response time and accuracy: An overview of its possible sources and directions for distinguishing between them. *Frontiers in Psychology*, 2017, [202]. <https://doi.org/10.3389/fpsyg.2017.00202>

General rights

Copyright and moral rights for the publications made accessible in the public portal are retained by the authors and/or other copyright owners and it is a condition of accessing publications that users recognise and abide by the legal requirements associated with these rights.

- Users may download and print one copy of any publication from the public portal for the purpose of private study or research.
- You may not further distribute the material or use it for any profit-making activity or commercial gain
- You may freely distribute the URL identifying the publication in the public portal ?

Take down policy

If you believe that this document breaches copyright please contact us providing details, and we will remove access to the work immediately and investigate your claim.



Conditional Dependence between Response Time and Accuracy: An Overview of its Possible Sources and Directions for Distinguishing between Them

Maria Bolsinova^{1*}, Jesper Tijmstra², Dylan Molenaar¹ and Paul De Boeck^{3,4}

¹ Department of Psychology, University of Amsterdam, Amsterdam, Netherlands, ² Department of Methodology and Statistics, Tilburg University, Tilburg, Netherlands, ³ Department of Psychology, Ohio State University, Columbus, OH, USA, ⁴ Department of Psychology, KU Leuven, Leuven, Belgium

OPEN ACCESS

Edited by:

Yanyan Sheng,
Southern Illinois University
Carbondale, USA

Reviewed by:

Christoph Scheepers,
University of Glasgow, UK
A. A. J. Marley,
University of Victoria, Canada

*Correspondence:

Maria Bolsinova
m.a.bolsinova@uva.nl

Specialty section:

This article was submitted to
Quantitative Psychology and
Measurement,
a section of the journal
Frontiers in Psychology

Received: 19 October 2016

Accepted: 31 January 2017

Published: 16 February 2017

Citation:

Bolsinova M, Tijmstra J, Molenaar D
and De Boeck P (2017) Conditional
Dependence between Response Time
and Accuracy: An Overview of its
Possible Sources and Directions for
Distinguishing between Them.
Front. Psychol. 8:202.
doi: 10.3389/fpsyg.2017.00202

With the widespread use of computerized tests in educational measurement and cognitive psychology, registration of response times has become feasible in many applications. Considering these response times helps provide a more complete picture of the performance and characteristics of persons beyond what is available based on response accuracy alone. Statistical models such as the hierarchical model (van der Linden, 2007) have been proposed that jointly model response time and accuracy. However, these models make restrictive assumptions about the response processes (RPs) that may not be realistic in practice, such as the assumption that the association between response time and accuracy is fully explained by taking speed and ability into account (conditional independence). Assuming conditional independence forces one to ignore that many relevant individual differences may play a role in the RPs beyond overall speed and ability. In this paper, we critically consider the assumption of conditional independence and the important ways in which it may be violated in practice from a substantive perspective. We consider both conditional dependences that may arise when all persons attempt to solve the items in similar ways (homogeneous RPs) and those that may be due to persons differing in fundamental ways in how they deal with the items (heterogeneous processes). The paper provides an overview of what we can learn from observed conditional dependences. We argue that explaining and modeling these differences in the RPs is crucial to increase both the validity of measurement and our understanding of the relevant RPs.

Keywords: conditional dependence, response processes, speed-accuracy trade-off, measurement, modeling response times

1. INTRODUCTION

Using the statistical tools of for example item response theory (IRT; see e.g. Hambleton and Swaminathan, 1985; van der Linden and Hambleton, 1997), responses to items from cognitive and educational tests are used to make inferences about the underlying abilities. While standard IRT models attempt to capture quantitative differences in measured ability, these models focus only on

the correctness of the responses (i.e., response accuracy; RA). When using these models, between- and within-person differences in response processes (e.g., used solution strategies, concentration, or operating speed) are taken to be noise and are usually ignored in practice, despite possibly being relevant for the assessment of persons. An important indicator of those possible differences in response processes (RPs) is response time (RT), which due to the increasing popularity of computerized testing has become available in many applications of educational and cognitive testing. Considering this additional information provides a more complete picture of the RPs.

Within psychometrics effort has been devoted to developing suitable joint models for RT and RA to incorporate this additional source of information into the traditional measurement procedures (e.g., Thissen, 1983; van der Linden, 2007; Molenaar et al., 2015a,b). The hierarchical modeling framework (van der Linden, 2007, 2009) presents a theoretically appealing approach for making use of RT in ability measurement, and has arguably become the dominant approach to modeling RA and RT in educational measurement. It posits two measurement models: one for RA, capturing a person's effective ability (θ), and one for RT, capturing a person's effective speed (τ). The two models are linked at the population level, where both the speed and ability of persons, and the difficulty and time intensity of items can be correlated.

One of the central questions when it comes to modeling RT and RA is about explaining the relationship between these two outcome measures. The hierarchical model (HM) assumes the association between RT and RA to be fully explained by the correlation between the person characteristics and between the item characteristics: it assumes *conditional independence* (CI) of RA and RT given those person and item characteristics¹. This is graphically illustrated in **Figure 1A**. However, in real-life applications there may be important residual associations between RT and RA, indicating misfit of the HM. These conditional dependences (CDs) might be relevant from a substantive point of view since they shed light on the interesting phenomena in RPs and possible between- and within-person differences.

Recently, attention has been devoted to testing the CI assumption (van der Linden and Glas, 2010; Bolsinova and Maris, 2016; Bolsinova and Tijmstra, 2016) and joint models for RT and RA have been extended to account for CD (Ranger and Ortner, 2012; Meng et al., 2015; Bolsinova et al., 2016a,b; Molenaar et al., 2016b), see **Figures 1B–D**. While different in their approach to CD, these models share the feature that they deal with the dependence in a descriptive way. That is, the dependence is captured by the model, but not explained by it (e.g., it is not explained why some items have positive CD and some have negative CD, see **Figures 1B,C**, or what different classes of responses represent, see **Figure 1D**). In this paper, instead of taking a statistical point of view we are looking at CD from a more substantive and explanatory perspective and discuss

the different kinds of RP phenomena that may lead to CD. Taking these phenomena into consideration (and ideally including them in the statistical model if they are present) is important for two reasons: (1) to improve the quality of the measurement of the attributes of interest and (2) to try to learn about the cognitive processes leading to the responses.

Including RT in measurement models forces one to focus on aspects of RPs that without RT are convenient or at least easy to ignore, that is, the possible confounding of measurement due to differences in RPs. As will be elaborated in the subsequent sections, these relevant differences in the RPs may be qualitative in nature (i.e., heterogeneous RPs), but can also be present when the RPs do not differ fundamentally (i.e., homogeneous RPs). In this paper, we take a careful look at the substantive assumptions about the RPs that are made by common joint models for RA and RT, and explore the ways in which these assumptions may be violated in practice. These assumptions are the following: (1) there is no systematic within-person variation of speed and ability across items; (2) item characteristics are constant across persons; (3) responses come from the same process.

The paper is organized as follows. In Section 2 we discuss how CD can arise when assumptions 1 and 2 are violated in cases of homogeneous RPs. In Section 3 we elaborate on heterogeneous RPs (i.e., persons do different things when confronted with an item), which entail a violation of assumption 3 and potentially cause CD. The paper concludes with a discussion on what steps one could take to distinguish the different possible phenomena presented in this paper in practice.

2. HOMOGENEOUS RESPONSE PROCESSES

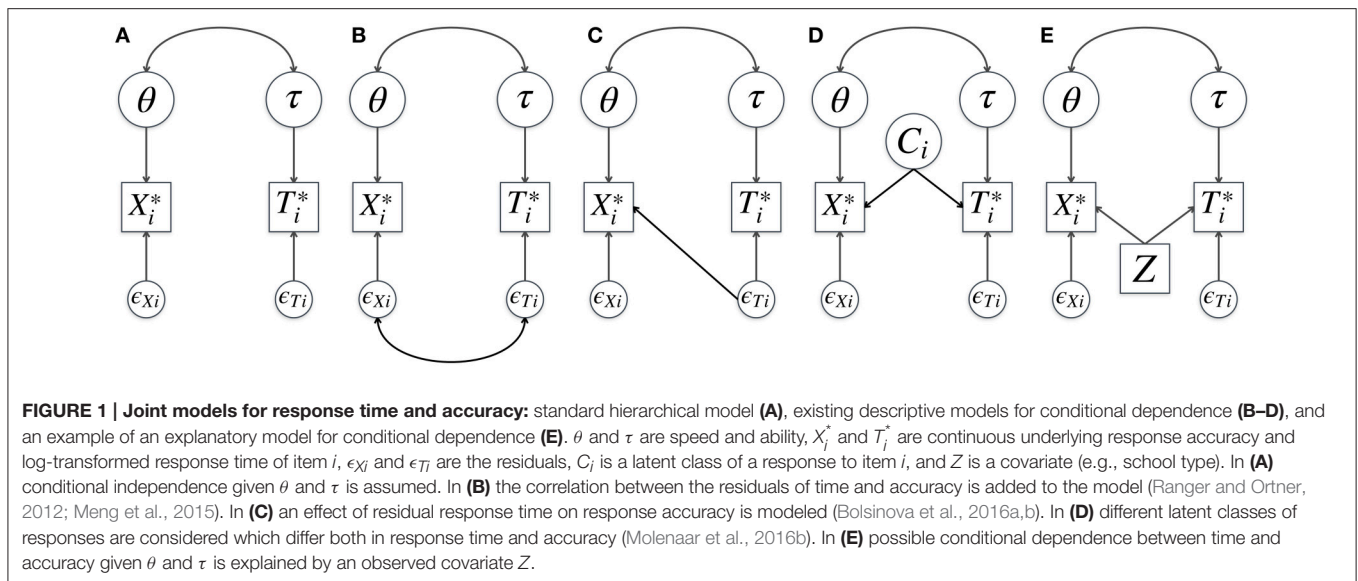
Let us without loss of generality consider a simple specification of the HM assuming CI with the one-parameter normal ogive model for RA and the log-normal model for RT (van der Linden, 2006):

$$\begin{bmatrix} X_{pi}^* \\ T_{pi}^* \end{bmatrix} \sim \mathcal{N}_2 \left(\begin{bmatrix} \theta_p - \beta_i \\ \xi_i - \tau_p \end{bmatrix}, \begin{bmatrix} 1 & 0 \\ 0 & \sigma_i^2 \end{bmatrix} \right), \quad (1)$$

where X_{pi}^* and T_{pi}^* are the underlying continuous RA and the log-transformed RT of person p on item i , respectively; and β_i , ξ_i , and σ_i^2 are the difficulty, the time intensity and the residual variance of item i , respectively. X_i^* and T_i^* can be both represented as the sum of their expected value and the normally distributed residuals. A nonzero correlation between these two residuals constitutes CD, while a zero correlation implies that CI holds.

The residual RT can be partly due to a fluctuation of τ (i.e., a person working relatively faster or slower on an item than on the test as a whole) or a fluctuation of ξ_i (i.e., an item being relatively more or less time intensive for a person than for the average person). Analogously, part of the residual RA can be a fluctuation of θ (i.e., persons performing above or below their average performance on the test) or a fluctuation of β_i (i.e., an item being relatively more or less difficult for this particular person compared to other persons). In the traditional HM these fluctuations are taken to be noise and the fluctuations on the

¹ A similar mathematical property follows from Ratcliff's unbiased diffusion model (1978), in which given the drift rate and boundary separation the choice made and the time to make it are independent.



RA and the RT sides are taken to be uncorrelated. However, in practice θ_p and τ_p might co-vary across items, and β_i and ξ_i might co-vary across persons.

It may be noted that statistically speaking the variation of β_i and ξ_i across persons cannot be disentangled from the variation of θ and τ of persons across items. They are the two sides of the same person-by-item interaction. That is, instead of saying that β_i and ξ_i are higher for person p than expected, we might say that θ_p and τ_p are lower than expected when responding to item i . However, these two phenomena are conceptually different as will be elaborated in the next subsections and it is important to consider them separately when trying to understand RPs.

2.1. Variation of Speed and Ability of a Person across Items

The within-person relationship between speed and accuracy has been of primary interest for cognitive psychologists (Townsend and Ashby, 1983; Luce, 1986). The phenomenon that RA generally decreases as a person increases their speed (speed-accuracy trade-off, SAT; for an overview see e.g., Heitz, 2014) has been studied extensively and is well-established in a variety of cognitive tasks, such as memory retrieval (Reed, 1973; Doshier, 1976), visual search (e.g., McElree and Carrasco, 1999; Carrasco and McElree, 2001), and perceptual decision making (e.g., Kleinsorge, 2001; Wenzlaff et al., 2011). SAT is studied using different experimental methods, such as varying deadlines or varying the time when participant are given a signal to respond (for an overview of methods, see e.g., Wickelgren, 1977).

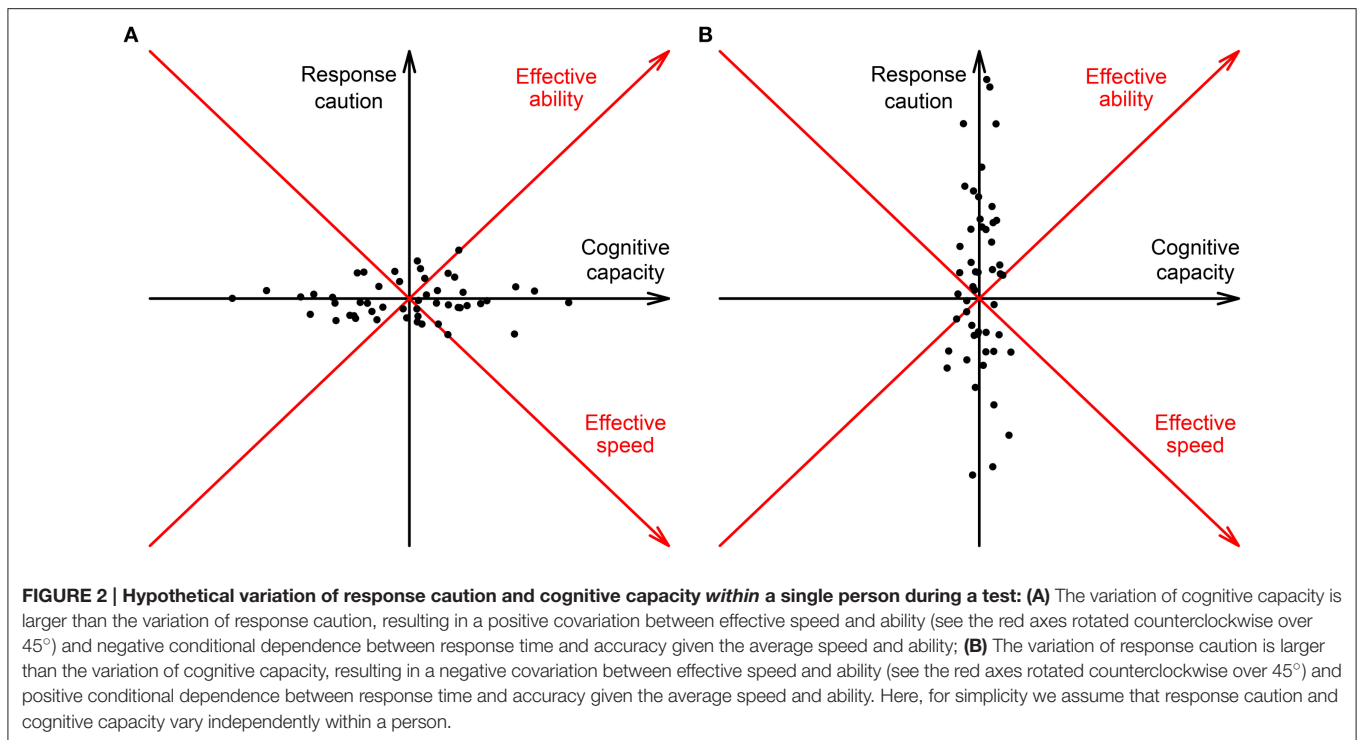
While usually not intended by the test developers, persons may still change their balance of speed and accuracy while taking a test. This may be especially plausible in settings where a strict total time limit is imposed, but could occur due to other factors as well. Such unmodeled variation in the response caution (i.e., the choice of speed-accuracy balance) within persons would result in positive CD given θ and τ .

The speed-accuracy trade-off paradigm takes as its starting point that persons have a constant amount of cognitive resources (cognitive capacity) at their disposal, which can be used either to work relatively fast but make many mistakes, or to work more accurately but slowly. However, cognitive capacity may also change throughout the test, for example if the level of motivation or the level of concentration changes (e.g., due to fatigue; Mollenkopf, 1950). In this case RT may decrease while RA increases if both concentration and motivation increase, or vice versa if both concentration and motivation decrease (i.e., negative CD). This relates to the person-specific variance of the drift rate in the diffusion model (Ratcliff, 1978), which if present also leads to negative CD.

To summarize, θ and τ may in practice vary across the test due to variation of response caution, variation of cognitive capacity, or both. Figure 2 shows two examples of this within-person variation. Since cognitive capacity is positively related to both speed and ability, while response caution is positively related to ability and negatively to speed, on the left larger variation of cognitive capacity results in a positive covariation of effective speed and ability (i.e., negative CD) and on the right larger variation of response caution results in a negative covariation of speed and ability (i.e., positive CD). Response caution and cognitive capacity might also co-vary which makes the full picture of CD even more complex.

2.2. Variation of Difficulty and Time Intensity across Persons

Standard models assume that an item has a constant difficulty and time intensity for all persons, however it is possible that an item's difficulty varies across persons due to idiosyncratic differences. Even persons with the same educational background that are exposed to the same curriculum will have slightly different learning trajectories (e.g., reading book chapters in a different order when preparing for the test). Even



larger differences will exist between persons from different educational backgrounds or subpopulations. This will result in some items being relatively more difficult or easy for a particular student compared to its difficulty for the rest of the population. Additionally, if dimensions beyond the ability of interest determine the probability of success (i.e., if there is unmodeled multidimensionality), item difficulty will also be different for persons differing on those additional dimensions. Essentially, such variations in difficulty across persons can be considered to constitute differential item functioning (DIF; see, e.g. Mellenbergh, 1989).

In educational and cognitive tests positive correlation is often found between β and ξ across items (e.g., van der Linden et al., 1999; Klein Entink et al., 2009), so the same pattern can be expected within an item: If a item is more difficult for a particular person than expected (based on β_i), it will also likely require more time to complete (i.e., negative CD).

3. HETEROGENEOUS RESPONSE PROCESSES

In the previous subsection we considered situations where the same RP takes place for each person. For some items, however, a response can be obtained in different ways (i.e., using heterogeneous RPs): The RT of person 1 might differ from the RT of person 2 not because they do the *same* thing at a *different* speed, but because they do *different* things (possibly at the *same* speed). For example, the item “1400 – 797 = ?” may be solved either using mental heuristic calculation or using column subtraction on paper. If the different RPs differ both in time intensity and probability of success, CD, either positive

or negative, will arise. Whether such differences in the RPs are substantively interesting or should be considered irrelevant noise will depend on the specific differences that are present and the purpose of the test.

One substantively interesting way in which RPs can differ is in the type of processing that a person uses. Here, it has been suggested to distinguish fast processes taken to be relatively automatic and heuristically driven and slow processes which are more controlled and algorithmic (Partchev and De Boeck, 2012; Goldhammer et al., 2014; DiTrapani et al., 2016; Molenaar et al., 2016a). These differences impact both expected RA and RT, resulting in CD that can be positive or negative.

While differences between fundamentally different fast and slow processes are an interesting subject to study for cognitive psychology, other differences in RPs might be solely due to test-taking conditions or particular item features, rather than due to substantively interesting phenomena. This is for example observed when fast random guessing takes place (Schnipke and Scrams, 1997; Wang and Xu, 2015). For most items RA would be higher for normal response behavior than for random guessing (i.e., positive CD). However, if a multiple-choice item contains strong distractors one might observe negative CD, since in that case for low-ability students random guessing might actually be more successful than normal responding.

An alternate form of guessing that may take place is ability-based guessing (San Martín et al., 2006), which is both slower than random guessing and has a higher probability of success. On knowledge-based tests where persons are expected to recognize the correct answer, ability-based guessing results in responses that are both less likely to be correct and have taken more time than responses provided by persons who recognize the

correct response option (i.e., negative CD). This direction may reverse for items that contain strong distractors that may trigger incorrect fast responses, when recognition breaks down for many respondents.

When both fast and slow guessing are expected to take place, it is difficult to formulate expectations regarding the direction and strength of CD. This also means that having observed CD on a test where forms of guessing are plausible should not too readily be taken as evidence that a more substantively interesting differentiation between processes is needed to explain the observed CD.

4. TOWARD EXPLANATORY MODELS

In this paper we have considered different phenomena which may all lead to CD. Our overview shows that there is much more to the relationship between time and accuracy than can be studied using traditional models assuming CI. Moreover, CD need not be seen as a nuisance to elegant statistical models, but can be seen as a window through which more can be learned about the cognitive processes behind the responses and about individual differences, which makes it highly relevant for psychological research as well as educational testing.

To learn from observed CD one will need to disentangle the possible sources of CD. This may not always be achievable if only RT and RA are available, as different phenomena may result in similar patterns of dependence. However, additional explanatory variables (person, item, or response covariates) might help in determining which particular phenomena are involved. The HM can be extended to include the effects of these covariates on both RT and RA, as illustrated in **Figure 1E**. Having effects of the covariate on RA and RT that are in the same direction results in positive CD, while effects of opposite directions result in negative CD. To test whether CD observed under the HM can be explained by a particular covariate, one can compare the relative fit of the traditional HM and the model with the effect of the covariate included (**Figures 1A,E**). Furthermore, one can evaluate whether the match between the observed and the expected correlations between RA and RT improves for the extended model and whether after conditioning on the added covariates CD is present in the extended model (e.g., using posterior predictive checks similar to Bolsinova and Tijmstra, 2016).

For the purpose of extending the HM to explain CD, various relevant covariates can be considered, which should be picked to test hypotheses about the suspected source(s) of CD. Person covariates (e.g., school type or an external measure of reading ability) can be included in the model to test whether CD is due to DIF across subgroups and whether unmodelled

multidimensionality leads to negative CD. Item covariates (e.g., whether verbal comprehension is required on a mathematics item) can also be used to test whether CD is due to an unmodeled ability dimension. Similarly, including item position (e.g., 1 for items at the end of the test and 0 otherwise) as a covariate can be used for considering whether differential decrease of response caution added to the model as an additional latent variable is a source of positive CD. Response covariates, such as pupil dilation as a measure of concentration, can be used to test whether negative CD is due to within-person variation of cognitive capacity. Moreover, patterns of eye movements and brain activity, or data from respondents' verbal protocols (i.e., respondents are asked in one way or another about how they solved an item) can be included as response covariates for determining whether CD is due to heterogeneity in the RPs.

Regardless of which specific covariates are considered, a researcher using such an extended HM will have to decide whether to approach these covariates in an exploratory way, or to formulate explicit hypotheses about the direction of their effect that can be tested. While providing the technical details of these different possible modeling approaches goes beyond the scope of this Perspectives paper, we hope that these suggestions provide the reader with an indication of the modeling steps that can be taken to move toward explanatory models for CD.

With the variety of plausible phenomena that may give rise to CD, carefully considering its presence and attempting to understand and model it is important both for the validity of the statistical inferences made based on the responses and for the study of the processes that gave rise to those responses. As our overview of the range of phenomena potentially leading to CD indicates, determining and understanding the exact source(s) of CD likely requires more information than is available from just RA and RT. We argue that considering relevant person, item, and response covariates is a way of moving from descriptive models in which CD is accounted for in a statistical way to explanatory models aimed at obtaining a better understanding of the response phenomena.

AUTHOR CONTRIBUTIONS

MB and JT wrote the paper, DM and PD provided feedback on the manuscript.

FUNDING

The research by DM was made possible by a grant from the Netherlands Organization for Scientific Research (NWO VENI-451-15-008).

REFERENCES

- Bolsinova, M., De Boeck, P., and Tijmstra, J. (2016a). Modeling conditional dependence between response time and accuracy. *Psychometrika*. 1–23. doi: 10.1007/s11336-016-9537-6
- Bolsinova, M., and Maris, G. (2016). A test for conditional independence between response time and accuracy. *Br. J. Math. Statist. Psychol.* 69, 62–79. doi: 10.1111/bmsp.12059
- Bolsinova, M., and Tijmstra, J. (2016). Posterior predictive checks for conditional independence between response time and accuracy. *J. Educ. Behav. Statist.* 41, 123–145. doi: 10.3102/1076998616631746
- Bolsinova, M., Tijmstra, J., and Molenaar, D. (2016b). Response moderation models for conditional dependence between response time and response accuracy. *Br. J. Math. Statist. Psychol.* doi: 10.1111/bmsp.12076. [Epub ahead of print].

- Carrasco, M., and McElree, B. (2001). Covert attention accelerates the rate of visual information processing. *Proc. Natl. Acad. Sci. U.S.A.* 98, 5363–5367. doi: 10.1073/pnas.081074098
- DiTrapani, J., Jeon, M., De Boeck, P., and Partchev, I. (2016). Attempting to differentiate fast and slow intelligence: using generalized item response trees to examine the role of speed on intelligence tests. *Intelligence* 56, 82–92. doi: 10.1016/j.intell.2016.02.012
- Dosher, B. A. (1976). Retrieval of sentences from memory: a speed-accuracy study. *Cogn. Psychol.* 8, 291–310. doi: 10.1016/0010-0285(76)90009-8
- Goldhammer, F., Naumann, J., Stelter, A., Tóth, K., Rölke, H., and Klieme, E. (2014). The time on task effect in reading and problem solving is moderated by task difficulty and skill: insights from a computer-based large-scale assessment. *J. Educ. Psychol.* 106, 608–626. doi: 10.1037/a0034716
- Hambleton, R.K., and Swaminathan, H. (1985). Item response theory: principles and applications. Boston, MA: Kluwer Nijhof.
- Heitz, R.P. (2014). The speed-accuracy tradeoff: history, physiology, methodology, and behavior. *Front. Neurosci.* 8:150. doi: 10.3389/fnins.2014.00150
- Klein Entink, R. H., Fox, J.-P., and van der Linden, W. J. (2009). A multivariate multilevel approach to simultaneous modeling of accuracy and speed on test items. *Psychometrika* 74, 21–48. doi: 10.1007/s11336-008-9075-y
- Kleinsorge, T. (2001). The time course of effort mobilization and strategic adjustments of response criteria. *Psychol. Res.* 65, 216–223. doi: 10.1007/s004260100062
- Luce, R. D. (1986). *Response Times: Their Role in Inferring Elementary Mental Organization*. New York, NY: Oxford University Press.
- McElree, B., and Carrasco, M. (1999). The temporal dynamics of visual search: evidence for parallel processing in feature and conjunction searches. *J. Exp. Psychol.* 25, 1517–1539. doi: 10.1037/0096-1523.25.6.1517
- Mellenbergh, G. (1989). Item bias and item response theory. *J. Educ. Res.* 13, 127–143. doi: 10.1016/0883-0355(89)90002-5
- Meng, X. B., Tao, J., and Chang, H. H. (2015). A conditional joint modeling approach for locally dependent item responses and response times. *J. Educ. Measure.* 52, 1–27. doi: 10.1111/jedm.12060
- Molenaar, D., Tuerlinckx, F., and van der Maas, H. L. (2015a). A generalized linear factor model approach to the hierarchical framework for responses and response times. *Br. J. Educ. Statist. Psychol.* 68, 197–219. doi: 10.1111/bmsp.12042
- Molenaar, D., Tuerlinckx, F., and van der Maas, H. L. (2015b). A bivariate generalized linear item response theory modeling framework to the analysis of responses and response times. *Multivariate Behav. Res.* 50, 56–74. doi: 10.1080/00273171.2014.962684
- Molenaar, D., Bolsinova, M., Rosza, S., and De Boeck, P. (2016a). Response mixture modeling of intraindividual differences in responses and response times to the Hungarian WISCIV Block Design Test. *J. Intell.* 4:10. doi: 10.3390/jintelligence4030010
- Molenaar, D., Oberski, D., Vermunt, J., and De Boeck, P. (2016b). Hidden Markov IRT models for responses and response times. *Multivariate Behav. Res.* 51, 606–626. doi: 10.1080/00273171.2016.1192983
- Mollenkopf, W.G. (1950). An experimental study of the effects on item-analysis data of changing item placement and test time limit. *Psychometrika* 15, 291–315. doi: 10.1007/BF02289044
- Partchev, I., and De Boeck, P. (2012). Can fast and slow intelligence be differentiated? *Intelligence* 40, 23–32. doi: 10.1016/j.intell.2011.11.002
- Ranger, J., and Ortner, T. (2012). The case of dependency of responses and response times: a modeling approach based on standard latent trait models. *Psychol. Test Assess. Model.* 54, 128–148.
- Ratcliff, R. (1978). A theory of memory retrieval. *Psychol. Rev.* 85, 59–108. doi: 10.1037/0033-295X.85.2.59
- Reed, A. V. (1973). Speed-accuracy trade-off in recognition memory. *Science* 181, 574–576. doi: 10.1126/science.181.4099.574
- San Martín, E., del Pino, G., and De Boeck, P. (2006). IRT models for ability based guessing. *Appl. Psychol. Meas.* 30, 183–203. doi: 10.1177/0146621605282773
- Schnipke, D. L., and Scrams, D. J. (1997). Modeling item response times with a two-state mixture model: a new method of measuring speededness. *J. Educ. Meas.* 34, 213–232. doi: 10.1111/j.1745-3984.1997.tb00516.x
- Thissen, D. (1983). “Timed testing: an approach using item response testing.” in *New Horizons in Testing: Latent Trait Theory and Computerized Adaptive Testing*, ed D. J. Weiss (New York, NY: Academic Press), 179–203.
- Townsend, J., and Ashby, F. (1983). *Stochastic Modeling of Elementary Psychological Processes*. New York, NY: Cambridge University Press.
- van der Linden, W. J. (2006). A lognormal model for response times on test items. *J. Educ. Behav. Statist.* 31, 181–204. doi: 10.3102/10769986031002181
- van der Linden, W. J. (2007). A hierarchical framework for modeling speed and accuracy on test items. *Psychometrika* 72, 287–308. doi: 10.1007/s11336-006-1478-z
- van der Linden, W. J. (2009). Conceptual issues in response-time modeling. *J. Educ. Meas.* 46, 247–272. doi: 10.1111/j.1745-3984.2009.00080.x
- van der Linden, W. J., Scrams, D. J., and Schnipke, D. L. (1999). Using response-time constraints to control for speededness in computerized adaptive testing. *Appl. Psychol. Meas.* 23, 195–210. doi: 10.1177/01466219922031329
- van der Linden, W. J., and Glas, C. A. W. (2010). Statistical tests of conditional independence between responses and/or response times on test items. *Psychometrika* 75, 120–139. doi: 10.1007/s11336-009-9129-9
- van der Linden, W. J., and Hambleton, R. K. (1997). *Handbook of Modern Item Response Theory*. New York, NY: Springer.
- Wang, C., and Xu, G. (2015). A mixture hierarchical model for response times and response accuracy. *Br. J. Math. Statist. Psychol.* 68, 456–477. doi: 10.1111/bmsp.12054
- Wenzlaff, H., Bauer, M., Maess, B., and Heekeren, H. R. (2011). Neural characterization of the speed-accuracy tradeoff in a perceptual decision-making task. *J. Neurosci.* 31, 1254–1266. doi: 10.1523/JNEUROSCI.4000-10.2011
- Wickelgren, W. A. (1977). Speed-accuracy tradeoff and information-processing dynamics. *Acta Psychol.* 41, 67–68. doi: 10.1016/0001-6918(77)90012-9

Conflict of Interest Statement: The authors declare that the research was conducted in the absence of any commercial or financial relationships that could be construed as a potential conflict of interest.

Copyright © 2017 Bolsinova, Tijmstra, Molenaar and De Boeck. This is an open-access article distributed under the terms of the Creative Commons Attribution License (CC BY). The use, distribution or reproduction in other forums is permitted, provided the original author(s) or licensor are credited and that the original publication in this journal is cited, in accordance with accepted academic practice. No use, distribution or reproduction is permitted which does not comply with these terms.